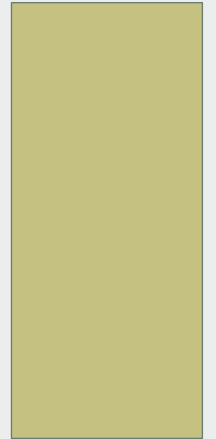


# Understanding DNA

Will Westmoreland



# My dna story

I began researching my family tree 16 years ago.

## Resources:

- [www.ancestry.com](http://www.ancestry.com)
- North Carolina Genealogy Society
- Oklahoma Historical Society
- Texas County, Oklahoma Historical Society
- Genealogy Message Boards
- Live Conversations
- Merging of Family Data

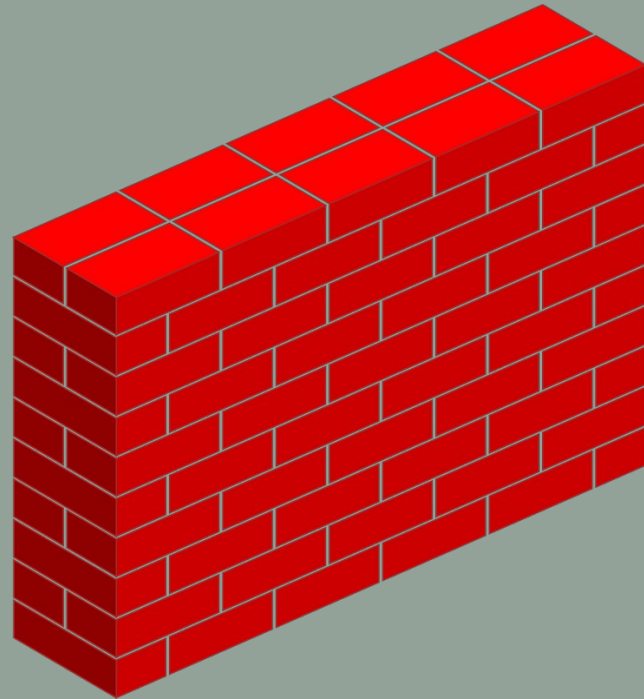
# THEN I HIT MY “BRICK WALL”

Vague 1840 Census

No Family Data

Bad Family Data

Bradley County, TN



# Why dna?

Find New Cousins

Prove Your Ancestral Lines

Break Down Brick Walls

Find Biological Parents

Learn About Deep Ancestry

# What to Expect

Work

Ethnicity is a Broad Estimate

Unexpected Results

Genetic Genealogy Standards

DNA is just a Tool

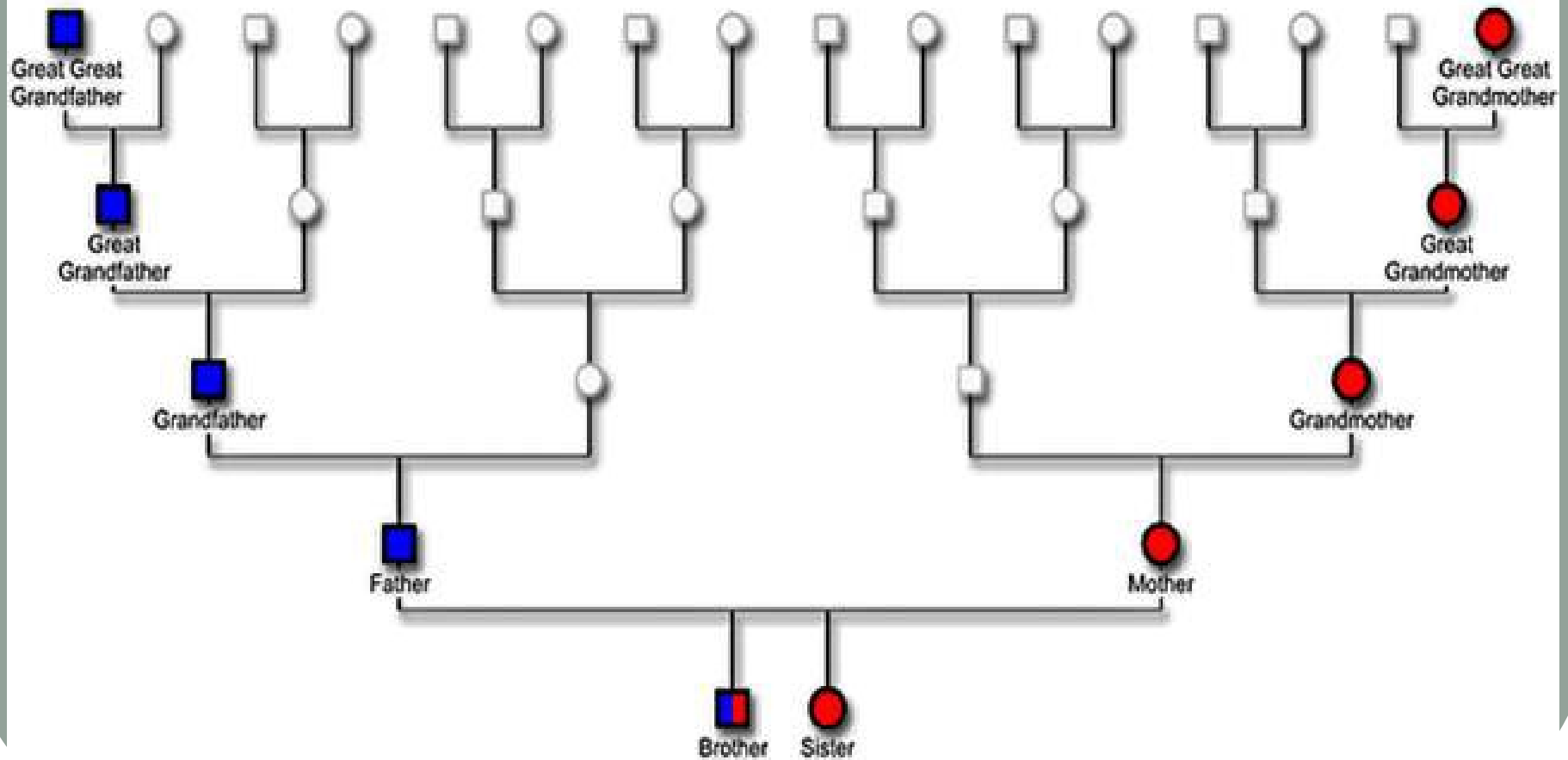
# DNA Types

Y-DNA: Used to study all male lines as Y-DNA is passed down from father to son.

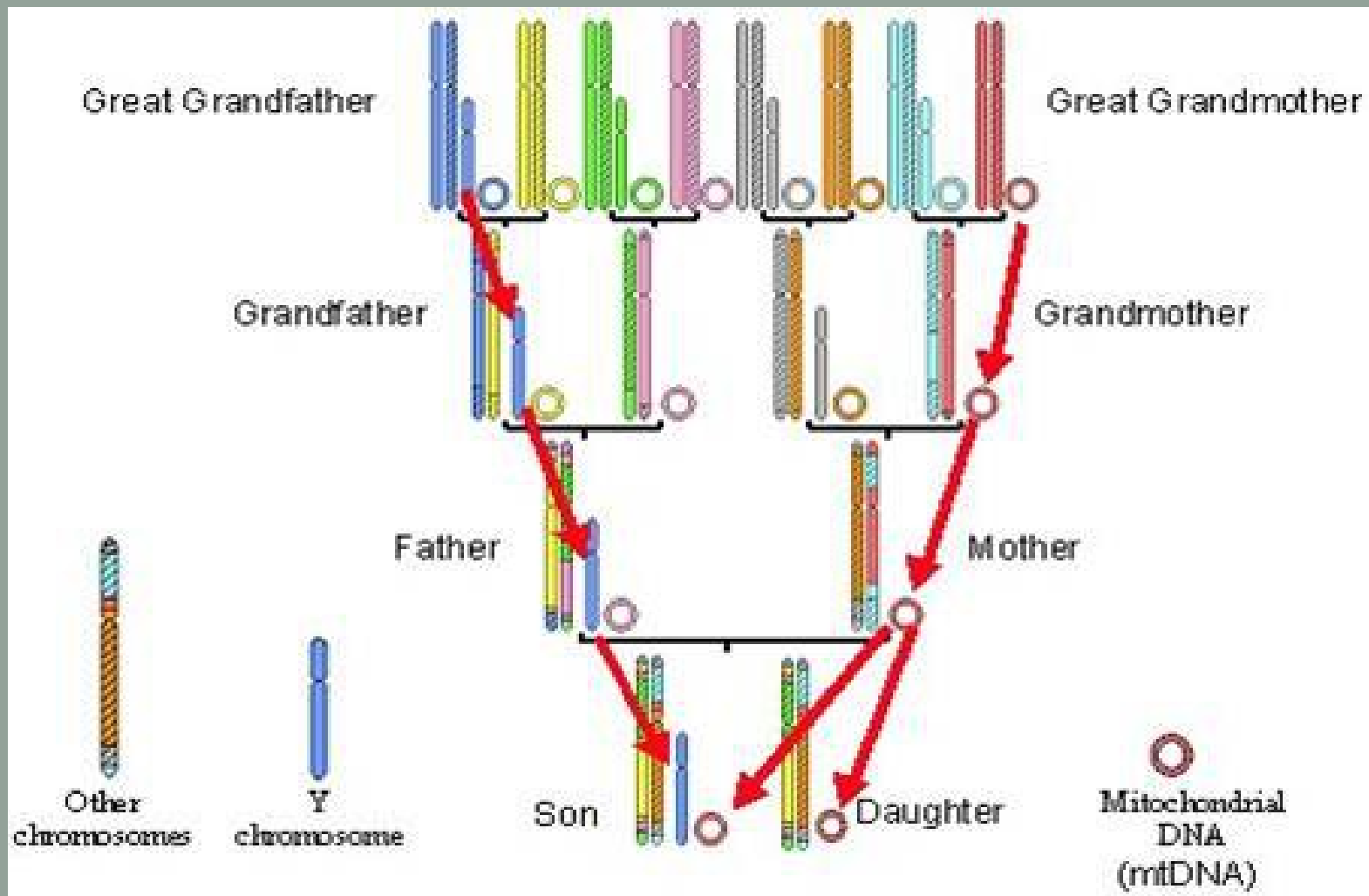
mtDNA: Used to study all female lines as mtDNA is passed down from mother to daughter and son.

atDNA: Used to study all of your ancestry. The atDNA is passed from male and female to all of their children. It does not include Y-DNA or mtDNA although you might see some of the same cousins.

# Y-dna/mtDNA



# Autosomal DNA





# Why and how?

Genealogy Only: A simple list of cousins.

Using the DNA: You must evolve a deeper understanding of DNA.

Big Three Testing Companies:

- Family Tree DNA (My Personal Favorite)
- Ancestry DNA
- 23 and Me
- GEDMatch

I strongly recommend testing with all three companies.

Expect to spend some money!

# Why and how “cont’d”

Develop a list of Patriarchs.

Develop a standard message for contacting potential matches.

- Name
- Email
- Link to your family tree if possible
- Explain possible link

How to apply for and take the test.

# Online demonstration

[www.familytreedna.com](http://www.familytreedna.com)

[www.ancestry.com](http://www.ancestry.com)

[www.fullgenome.com](http://www.fullgenome.com)

# Misconceptions about dna testing

Once I send my sample in I lose control over it!

My healthcare or life insurance costs will go up if I participate in a DNA project!

My DNA could be used to convict me of a crime!

The government can use my DNA to put me on a watch list!

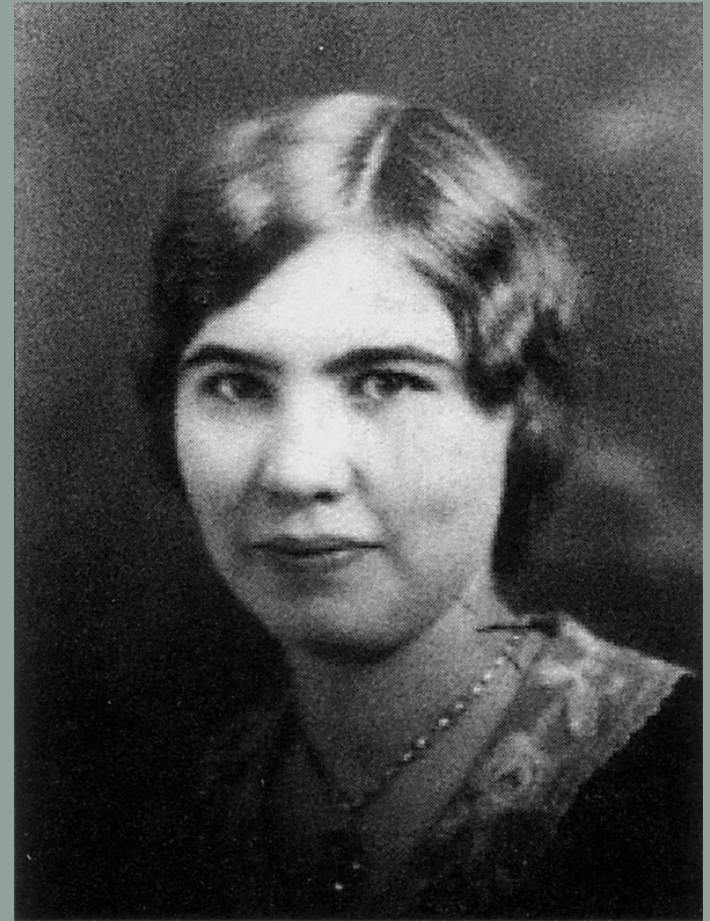
# Dna surprises

Don't test your DNA unless you are really in to genealogy and prepared for the answers:

- You may be adopted
- You may learn you are the product of an extramarital affair
- You may learn family secrets that have been buried

More than likely you will be amazed!

# Family tree mystery



Thank you!

Questions?

[wmwestmoreland@windstream.net](mailto:wmwestmoreland@windstream.net)

417-770-4026, Cell